



**BUILDING CODE COMPLIANCE OFFICE (BCCO)  
PRODUCT CONTROL DIVISION**

**MIAMI-DADE COUNTY, FLORIDA  
METRO-DADE FLAGLER BUILDING  
140 WEST FLAGLER STREET, SUITE 1603  
MIAMI, FLORIDA 33130-1563  
(305) 375-2901 FAX (305) 375-2908**

**NOTICE OF ACCEPTANCE (NOA)**

---

**Entegra Roof Tile, Inc.  
1289 NE 9<sup>th</sup> Ave  
Okeechobee, FL. 34972**

**SCOPE:**

This NOA is being issued under the applicable rules and regulations governing the use of construction materials. The documentation submitted has been reviewed by Miami-Dade County Product Control Division and accepted by the Board of Rules and Appeals (BORA) to be used in Miami Dade County and other areas where allowed by the Authority Having Jurisdiction (AHJ).

This NOA shall not be valid after the expiration date stated below. The Miami-Dade County Product Control Division (In Miami Dade County) and/or the AHJ (in areas other than Miami Dade County) reserve the right to have this product or material tested for quality assurance purposes. If this product or material fails to perform in the accepted manner, the manufacturer will incur the expense of such testing and the AHJ may immediately revoke, modify, or suspend the use of such product or material within their jurisdiction. BORA reserves the right to revoke this acceptance, if it is determined by Miami-Dade County Product Control Division that this product or material fails to meet the requirements of the applicable building code.

This product is approved as described herein, and has been designed to comply with the High Velocity Hurricane Zone of the Florida Building Code.

**DESCRIPTION: Plantation Roof Tile**

**LABELING:** Each unit shall bear a permanent label with the manufacturer's name or logo, city, state and following statement: "Miami-Dade County Product Control Approved", unless otherwise noted herein

**RENEWAL** of this NOA shall be considered after a renewal application has been filed and there has been no change in the applicable building code negatively affecting the performance of this product.

**TERMINATION** of this NOA will occur after the expiration date or if there has been a revision or change in the materials, use, and/or manufacture of the product or process. Misuse of this NOA as an endorsement of any product, for sales, advertising or any other purposes shall automatically terminate this NOA. Failure to comply with any section of this NOA shall be cause for termination and removal of NOA.

**ADVERTISEMENT:** The NOA number preceded by the words Miami-Dade County, Florida, and followed by the expiration date may be displayed in advertising literature. If any portion of the NOA is displayed, then it shall be done in its entirety.

**INSPECTION:** A copy of this entire NOA shall be provided to the user by the manufacturer or its distributors and shall be available for inspection at the job site at the request of the Building Official.

This renews NOA No. 09-0803.02 and consists of pages 1 through 5.  
The submitted documentation was reviewed by Alex Tigera.



**NOA No.: 10-0804.15  
Expiration Date: 12/08/15  
Approval Date: 10/20/10  
Page 1 of 5**

## ROOFING ASSEMBLY APPROVAL

**Category:** Roofing  
**Sub Category:** Roofing Tiles  
**Material:** Concrete

### 1. SCOPE:

This renews a roofing system using Entegra “Plantation” concrete roof tile, as manufactured for Entegra Roof Tile, Inc. in Okeechobee, FL as described in Section 2 of this Notice of Acceptance. For the locations where the pressure requirements, as determined by applicable Building Code, does not exceed the values listed in section 4 herein. The attachment calculations shall be done as a moment based system.

### 2. PRODUCT DESCRIPTION:

<u>Manufactured by Applicant</u>	<u>Dimensions</u>	<u>Test Specifications</u>	<u>Product Description</u>
Plantation Tile	Length: 16½” Width: 13”	TAS 112	Flat concrete roof tile for direct deck or batten nail-on.
Trim Pieces	Length: varies Width: varies Thickness: varies	TAS 112	Accessory trim, concrete roof pieces for use at hips, rakes ridges and valley terminations

### 3. LIMITATIONS:

- 3.1 Fire classification is not part of this acceptance.
- 3.2 For mortar or adhesive set tile applications, a static field uplift test in accordance with TAS 106 may required, refer to applicable building code.
- 3.3 Applicant shall retain the services of a Miami-Dade County Certified Laboratory to perform quarterly test in accordance with TAS 112, appendix ‘A’. Such testing shall be submitted to the Building Code Compliance Office for review.
- 3.4 Minimum underlayment shall be in compliance with the applicable Roofing Applications Standards listed section 4.1 herein.
- 3.5 30/90 hot mopped underlayment applications may be installed perpendicular to the roof slope unless stated otherwise by the underlayment material manufacturers published literature.
- 3.6 This acceptance is for wood deck applications. Minimum deck requirements shall be in compliance with applicable building code.

### 4. INSTALLATION:

- 4.1 Entegra Roof Tile, Inc.’s Plantation Flat Tile and its components shall be installed in strict compliance with Roofing Application Standard RAS 118,119, & 120
- 4.2 Data For Attachment Calculations



NOA No.: 10-0804.15  
Expiration Date: 12/08/15  
Approval Date: 10/20/10  
Page 2 of 5

Table 1: Average Weight (W) and Dimensions (l x w)			
Tile Profile	Weight-W (lbf)	Length-l (ft)	Width-w (ft)
Plantation Tile	11.6	1.375	1.08

Table 2: Aerodynamic Multipliers - $\lambda$ (ft <sup>3</sup> )		
Tile Profile	$\lambda$ (ft <sup>3</sup> ) Batten Application	$\lambda$ (ft <sup>3</sup> ) Direct Deck Application
Plantation Tile	0.267	0.289

Table 3: Restoring Moments due to Gravity - $M_g$ (ft-lbf)										
Tile Profile	3": 12"		4": 12"		5": 12"		6": 12"		7": 12" or greater	
	Battens	Direct Deck	Battens	Direct Deck	Battens	Direct Deck	Battens	Direct Deck	Battens	Direct Deck
Plantation Tile	6.85	7.79	6.75	7.67	6.61	7.52	6.44	7.32	6.26	N/A

Table 4: Attachment Resistance Expressed as a Moment - $M_f$ (ft-lbf) For Nail-On Systems				
Tile Profile	Fastener Type	Direct Deck (Min 15/32" plywood)	Direct Deck (Min. 19/32" plywood)	Battens
Plantation Tile	2-10d Ring Shank Nails	30.9	38.1	17.2
	1-10d Smooth or Screw Shank Nail	7.3	9.8	4.9
	2-10d Smooth or Screw Shank Nails	14.0	18.8	7.4
	1 #8 Screw	30.8	30.8	18.2
	2 #8 Screw	51.7	51.7	24.4
	1-10d Smooth or Screw Shank Nail (Field Clip)	24.3	24.3	24.2
	1-10d Smooth or Screw Shank Nail (Eave Clip)	19.0	19.0	22.1
	2-10d Smooth or Screw Shank Nails (Field Clip)	35.5	35.5	34.8
	2-10d Smooth or Screw Shank Nails (Eave Clip)	31.9	31.9	32.2
	2-10d Ring Shank Nails <sup>1</sup>	50.3	65.5	48.3

<sup>1</sup> Installation with a 4" tile headlap and fasteners are located a minimum of 2½" from the head of tile.



Table 5: Attachment Resistance Expressed as a Moment $M_f$ (ft-lbf) For Two Patty Adhesive Set Systems		
Tile Profile	Tile Application	Minimum Attachment Resistance
Plantation Tile	Adhesive	31.3 <sup>3</sup>
2 See manufactures component approval for installation requirements.		
3 Flexible Products Company TileBond Average weights per patty 13.9 grams. Polyfoam Product, Inc. Average weight per patty 8 grams.		

Table 6: Attachment Resistance Expressed as a Moment - $M_f$ (ft-lbf) For Single Patty Adhesive Set Systems		
Tile Profile	Tile Application	Minimum Attachment Resistance
Plantation Tile	PolyPro™	118.9 <sup>4</sup>
	PolyPro™	40.4 <sup>5</sup>
4 Large paddy placement of 45 grams of PolyPro™.		
5 Medium paddy placement of 24 grams of PolyPro™.		

Table 7: Attachment Resistance Expressed as a Moment - $M_f$ (ft-lbf) for Mortar Set Systems		
Tile Profile	Tile Application	Attachment Resistance
See specific mortar manufacturer's Notice of Acceptance.		

## 5. LABELING

- 5.1 All tiles shall bear the imprint or identifiable marking of the manufacturer's name or logo as seen below or following statement: "Miami-Dade County Product Control Approved".
- 5.2 Entegra Roof Tile, Inc.'s Plantation Roof Tile bears the following markings: USA "E" USA, "E", Entegra "E", where the E is a stylized logo.

## 6. BUILDING PERMIT REQUIREMENTS

- 6.1 Application for building permit shall be accompanied by copies of the following:
  - 6.1.1 This Notice of Acceptance.
  - 6.1.2 Any other documents required by the Building Official or applicable Building Code in order to properly evaluate the installation of this system.

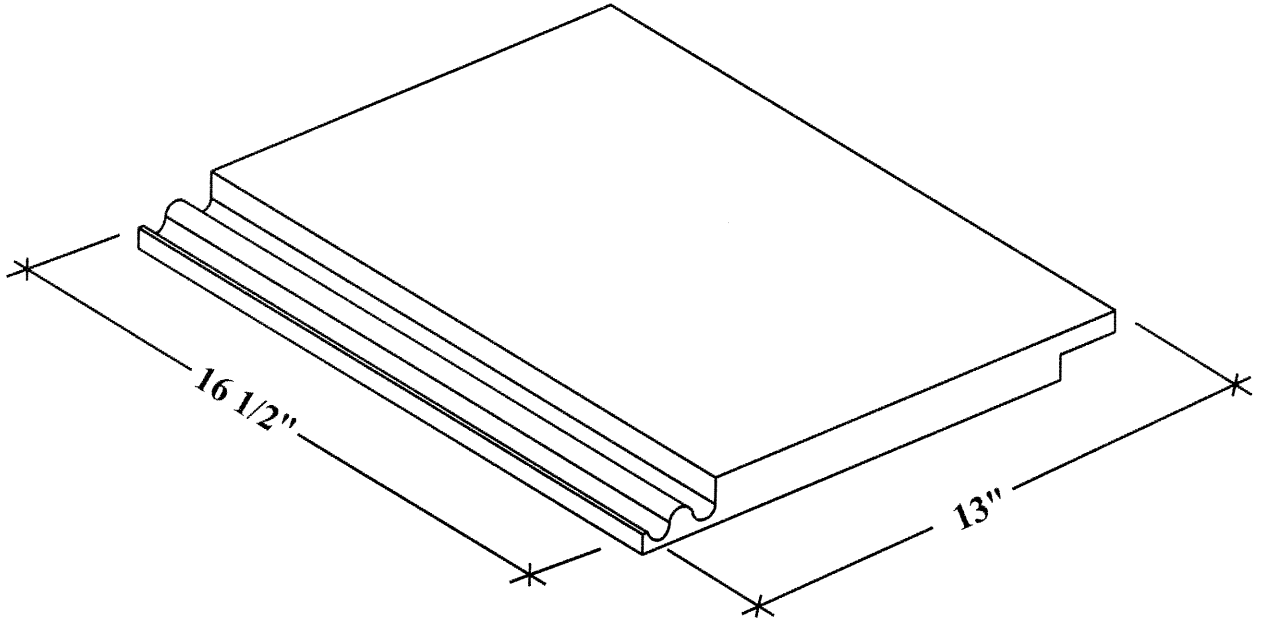
## 7. MANUFACTURING LOCATIONS

- 7.1 Okeechobee, FL



**PROFILE DRAWING**

**PLANTATION FLAT CONCRETE TILE**



**END OF THIS ACCEPTANCE**



NOA No.: 10-0804.15  
Expiration Date: 12/08/15  
Approval Date: 10/20/10  
Page 5 of 5